



Self-Priming Pumps

AD 3 100 HF
AD 3 100 HF-E

www.wdmpumps.com

Job Name		Representative	
Engineer		Customer	
Contractor		Date	
Submitted by		Approved by	

Pump					
Model reference #			QTY pumps		
Capacity	US gpm		Head	ft	
	L / s			m	
Material of construction			Mechanical seal		
Standard	Other		Standard	Other	

Liquid					
Liquid			Viscosity		
Temperature	°F		Specific gravity		
	°C				

Motor				
Power (hp)		Voltage (V)		
Speed (rpm)		Hertz (Hz)		
Phases		Enclosures		
Efficiency		TEFC	ODP	Explosion Proof
Frame size				

Dimensions & Weights	
Close Coupled Complete (Pump & Motor)	Frame Mounted Complete (Pump, Motor, Base)

Price	Notes



Self-Priming Pumps

AD 3 100 HF
AD 3 100 HF-E

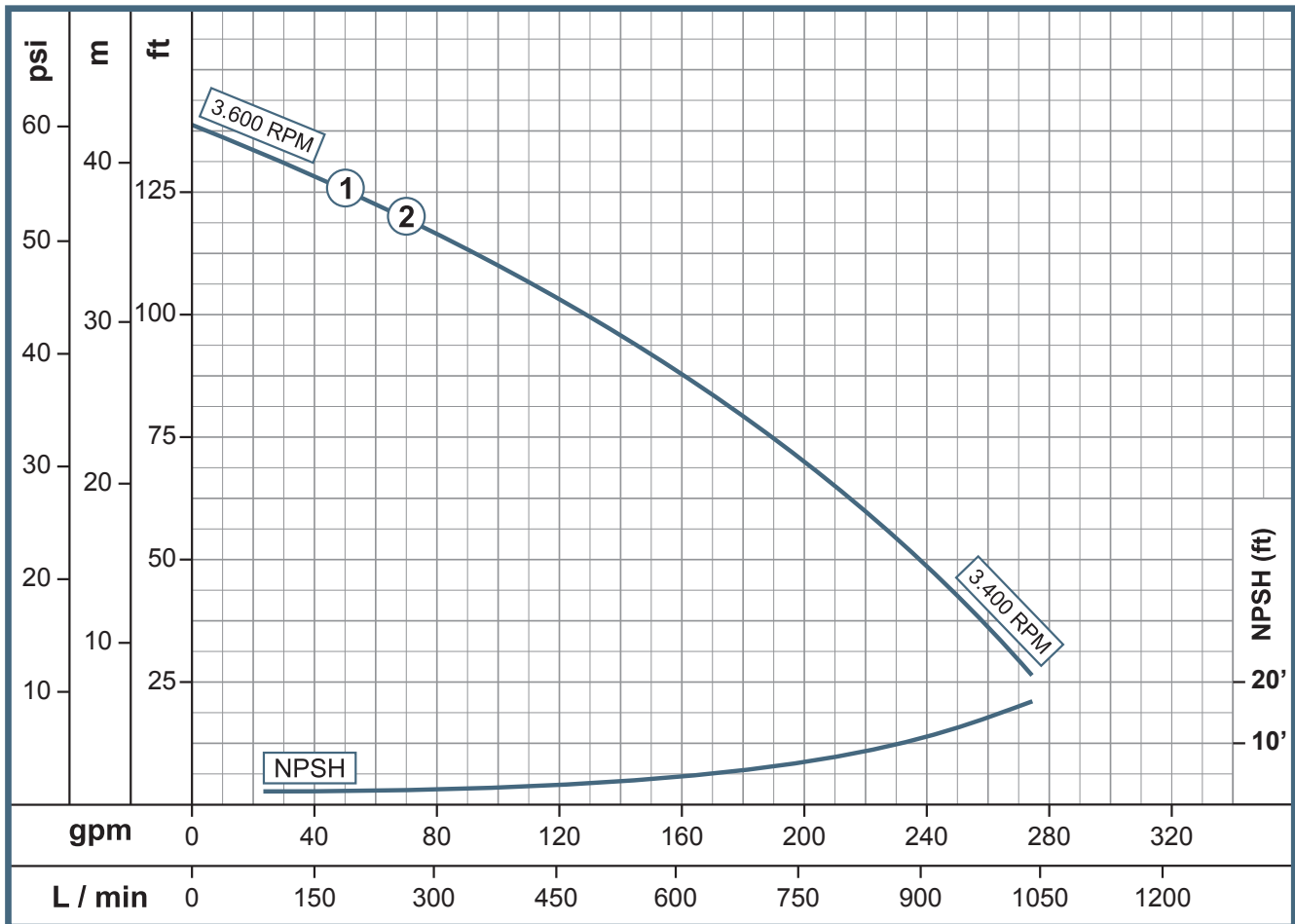
www.wdmpumps.com

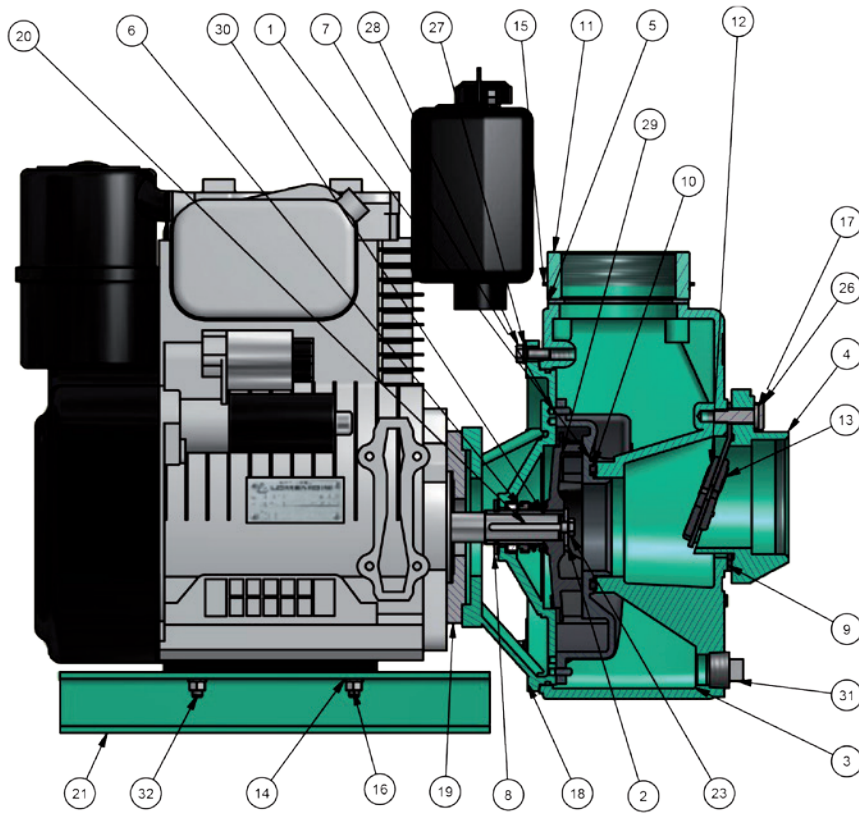
Last update: 8/14/2015

Pump features				
Pump type	Design	Material	Impeller	
End suction	Close coupled	Cast iron	Semi open (ISO G6.3)	
Stages	Mechanical seal	Fluid temperature range		Ø Solid handling
1	1 1/4" T12	26.6°F to 158°F		9/16"
Model	Ref.	Ø Suction	Ø Discharge	Ø Impeller
1 AD 3 100 HF	1D0113	3" NPT	3" NPT	6.000"
2 AD 3 100 HF-E	1D0123	3" NPT	3" NPT	6.000"

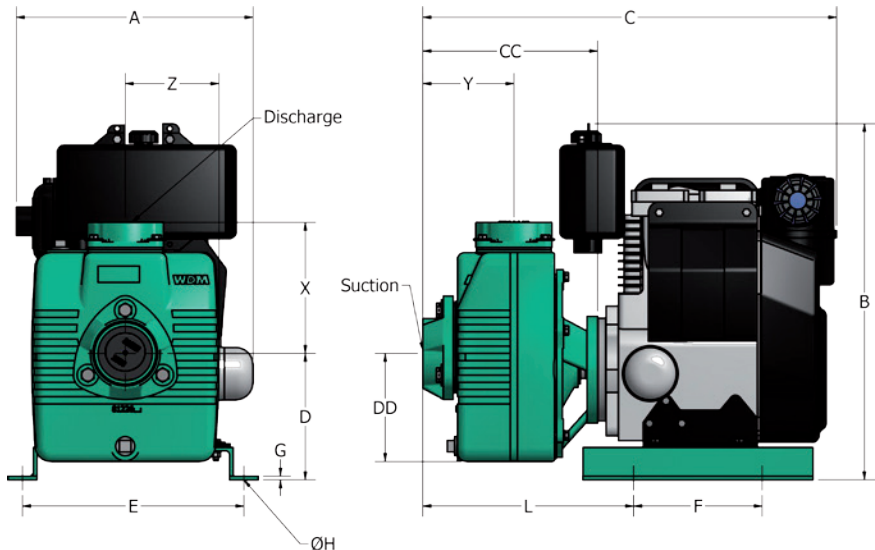
Engine features	
Drive	Brand
Diesel	Hi-Force
Speed (rpm)	
3,600 (nominal)	
Power (hp)	Starter
10	Recoil start
10	Electric

Performance curve





Item	Description	QTY
1	VOLUTE	1
2	WASHER, IMPELLER	1
3	BODY	1
4	SUCTION FLANGE	1
5	DISCHARGE FLANGE	1
6	SHAFT SEAL	1
7	PIN VOLUTE	2
8	SLINGER	1
9	GASKET NEOPRENE	1
10	GASKET VOLUTE	1
11	DISCHARGE FLANGE *	1
12	BIG WEIGHT	1
13	SMALL WEIGHT	1
14	LOCK WASHER	4
15	WASHER	8
16	HEX NUT	4
17	LOCK WASHER	3
18	INTERMEDIATE COUPLING	1
19	ADAPTER PLATE	1
20	ENGINE	1
21	BASE	1
22	CAP SCREW	4
23	CAP SCREW	1
24	ROUND SCREW	1
25	CAP SCREW	1
26	HEX BOLT	3
27	LOCK WASHER	5
28	CAP SCREW	9
29	IMPELLER	1
30	SHAFT SLEEVE	1
31	PIPE PLUG	2



Dimensions (inches)															
Model	Ref.	A	B	C	CC	D	DD	E	F	G	H	L	X	Y	Z
AD 3 100 HF	1D0113	15 3/8"	21 5/16"	24 5/8"	11 1/8"	8 13/16"	7 1/2"	14 11/16"	7 1/8"	1/8"	7/16"	11 3/16"	8 15/16"	5 5/16"	6 1/2"
AD 3 100 HF-E	1D0123	15 3/8"	21 5/16"	24 5/8"	11 1/8"	8 13/16"	7 1/2"	14 11/16"	7 1/8"	1/8"	7/16"	11 3/16"	8 15/16"	5 5/16"	6 1/2"

* This part could change depending of the reference, please contact our sales department in order to clarify any dudas.
 Motor dimensions may vary by motor manufacturer.
 Technical features are subject to change without notice.